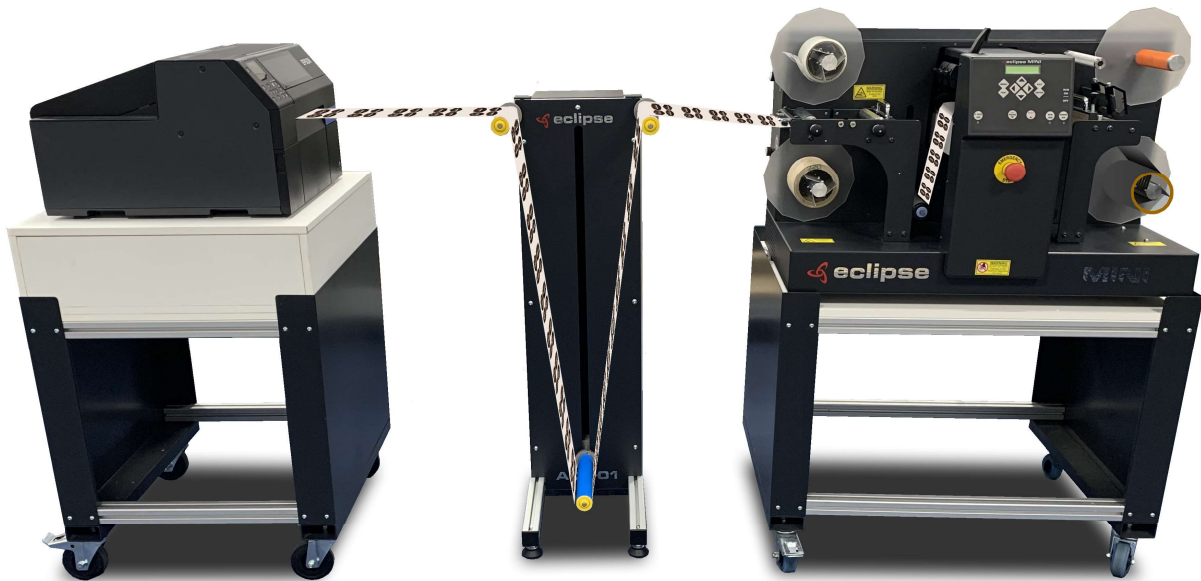


# INLINE LABEL FINISHING SOLUTION

## ACU-01



The benefits for small to medium size business to print, laminate, cut, remove the excess, slit, and rewind small batches custom labels. The Eclipse solution gives you freedom, no label stock, the ability to be more responsive while you save money.

- Up to 220 mm wide media
- Compatible with **EPSON® Colorworks 6000, 6500, 7500.**

**PRINT | LAMINATE | CUT**

**EASY OPERATION**

**SYNCHRONISED**

**LOW COST.**

[www.eclipselabelequipment.com](http://www.eclipselabelequipment.com)

 **MADE IN  
BRITAIN**

# INLINE LABEL FINISHING SOLUTION

## ACU-04



The ultimate tool for small to medium size business to print, laminate, cut, remove the excess, slit, and rewind small batches custom labels ... in the quantity that you want.

- Up to 220 mm wide media
- Compatible with **EPSON® Colorworks 6000, 6500, 7500, TSC PRINTRONIX®, VIP Color®**.
- Splicing table, easy webbing of material function, fully aligned reducing the risk of misalignment.

**PRINT | LAMINATE | CUT**

**EASY OPERATION**

**SYNCHRONISED**

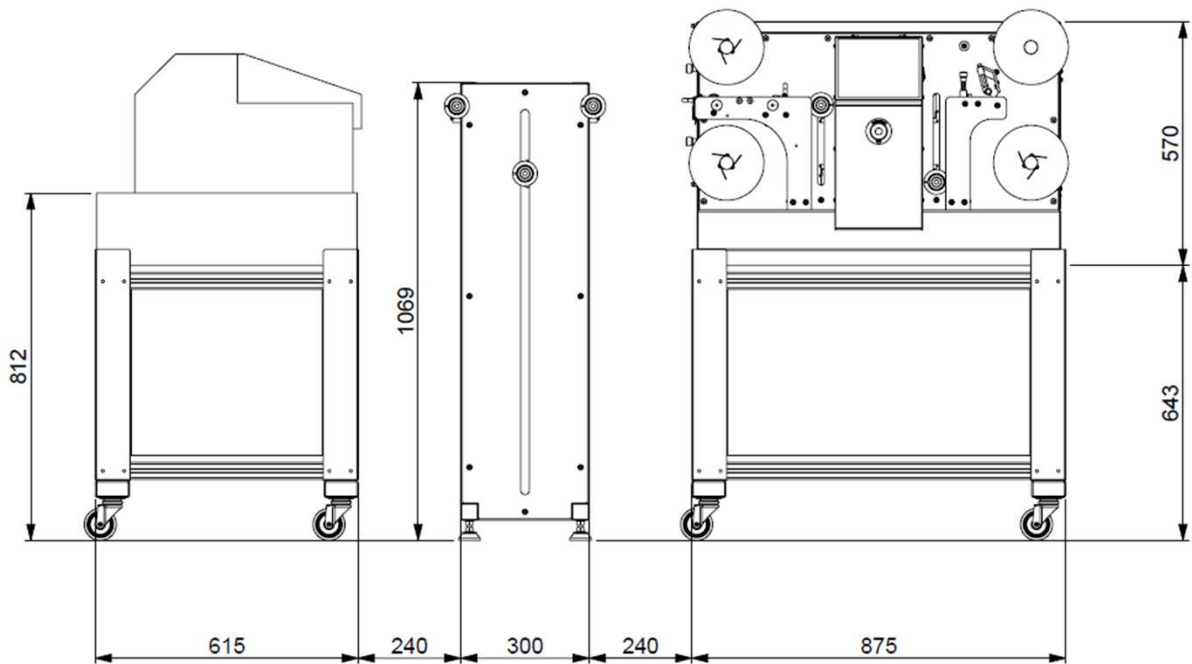
**AFFORDABLE.**

# INLINE LABEL FINISHING SOLUTION TECHNICAL SPECIFICATIONS

	ACU-01	ACU-04
Unwinder	Yes - Optional	Yes - Optional
Printer Compatibility	EPSON® Colorworks 6000, 6500, 7500	EPSON® Colorworks 6000, 6500, 7500, TSC PRINTRONIX®, VIP Color®
Splicing Table	No	Yes - Standard
# of Dancer bars	1	4
Reserve / buffer of printed label between the printer and the finisher	1.5 meters (59")	4.5 meters (177")
Easy webbing function	No	Yes - Standard
Easy inline alignment	No	Yes
<b>Both ACU-01 and ACU-04 are compatible with both finishers below</b>		
Eclipse Model compatibility	Eclipse Mini+	Eclipse LF220HS
Maximum media width	220 mm (8.7")	
Maximum label length	254 mm (10")	386 mm (15.1")
Cutting speed	800 mm/s	1,000 mm/s
Lamination	Yes - Standard	
Lamination backing removal	Yes - Optional	
Cutting	Drag knives technology	
Slitting	up to 5 blades as standard	up to 8 blades as standard
Excess rewind	Yes - Standard	
Label rewind	Yes - Standard	
Full installation length	2.3 meters (90.6")	2.8 meters (110.3")

# INLINE LABEL FINISHING SOLUTION DIMENSIONS

## Typical ACU-01 and MINI+ Installation



## Typical ACU-04 and LF220HS Installation

